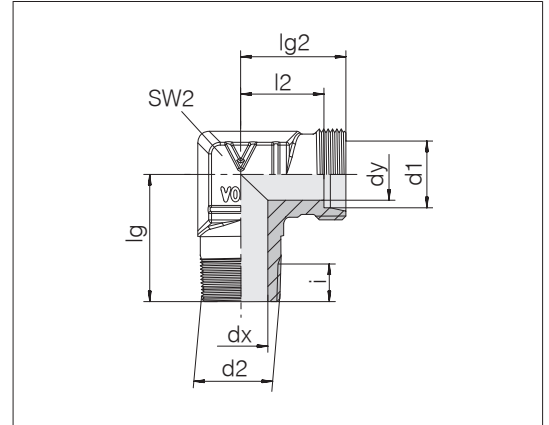


## Male stud elbows

Male thread: BSPT thread, tapered  
 Threaded stud: DIN 3852-2 Form C  
 Sealing type: Tapered thread  
 Sealing material: e.g. PTFE sealing tape

Tube coupling: 24° in acc. with ISO 8434-1



Series	Tube OD	d2	Pressure	dx	dy	lg	lg2	l2	SW2	i	kg/100 ca.	Order-No.	Designation	
LL	4	R 1/8	PN 100	4	3	17	15	11	9	6.2	1.0	0715002000	24-SDE-LL4-R1/8T	<sup>1)</sup>
LL	5	R 1/8	PN 100	4	3.5	17	15	9.5	11	6.2	1.8	0715052000	24-SDE-LL5-R1/8T-P	<sup>1)</sup>
LL	6	R 1/8	PN 100	4.5	4.5	17	15	9.5	11	6.2	1.6	0715102000	24-SDE-LL6-R1/8T-P	<sup>1)</sup>
LL	8	R 1/8	PN 100	6	6	20	17	11.5	12	6.2	2.2	0715152000	24-SDE-LL8-R1/8T-P	<sup>1)</sup>
L	6	R 1/8	PN 315	4	4	20	19	12	12	6.2	2.7	0716002000	24-SDE-L6-R1/8T-P	<sup>1)</sup>
L	6	R 1/4	PN 315	7	4	26	21	14	14	9.3	4.5	0716022000	24-SDE-L6-R1/4T-P	
L	6	R 3/8	PN 315	9	4	27	24	17	17	9.3	6.8	0716032000	24-SDE-L6-R3/8T-P	
L	8	R 1/8	PN 315	4	6	26	21	14	14	6.2	4.6	0716062000	24-SDE-L8-R1/8T-P	
L	8	R 1/4	PN 315	6	6	26	21	14	14	9.3	4.8	0716052000	24-SDE-L8-R1/4T-P	<sup>1)</sup>
L	8	R 3/8	PN 315	8	6	28	22	15	19	9.3	8.8	0716072000	24-SDE-L8-R3/8T-P	
L	10	R 1/8	PN 315	4	7	25	22	15	17	6.2	6.7	0716112000	24-SDE-L10-R1/8T-P	
L	10	R 1/4	PN 315	7	8	27	22	15	17	9.3	5.9	0716102000	24-SDE-L10-R1/4T-P	<sup>1)</sup>
L	10	R 3/8	PN 315	7	7	28	24	17	19	9.3	9.3	0716122000	24-SDE-L10-R3/8T-P	
L	10	R 1/2	PN 315	11	7	34	27	20	19	10.4	9.6	0716132000	24-SDE-L10-R1/2T	
L	12	R 1/4	PN 315	7	9	28	24	17	19	9.3	8.5	0716162000	24-SDE-L12-R1/4T-P	
L	12	R 3/8	PN 315	9	10	28	24	17	19	9.3	9.1	0716152000	24-SDE-L12-R3/8T-P	<sup>1)</sup>
L	12	R 1/2	PN 315	11	9	34	27	20	19	10.4	9.7	0716172000	24-SDE-L12-R1/2T	
L	15	R 3/8	PN 315	9	11	32	28	21	19	9.3	9.0	0716212000	24-SDE-L15-R3/8T	
L	15	R 1/2	PN 315	11	12	34	28	21	19	10.4	9.5	0716202000	24-SDE-L15-R1/2T	<sup>1)</sup>
L	15	R 3/4	PN 160	16	12	42	28.5	21.5	27	12.4	18.6	0716222000	24-SDE-L15-R3/4T	
L	18	R 1/2	PN 315	14	15	36	31	23.5	24	14	12.6	0716252000	24-SDE-L18-R1/2T	<sup>1)</sup>
L	18	R 3/4	PN 160	18	15	42	35	27.5	27	12.4	20.2	0716272000	24-SDE-L18-R3/4T	
L	22	R 3/4	PN 160	18	19	42	35	27.5	27	12.4	17.3	0716342000	24-SDE-L22-R3/4T	

<sup>1)</sup> Standard size

Threaded stud in acc. with DIN 3852-2 Form C are approved for use for gas supply in accordance with DIN 3387-1.

Example for comp. :  
 WE06LRX  
 DIN 2353-GL6-St